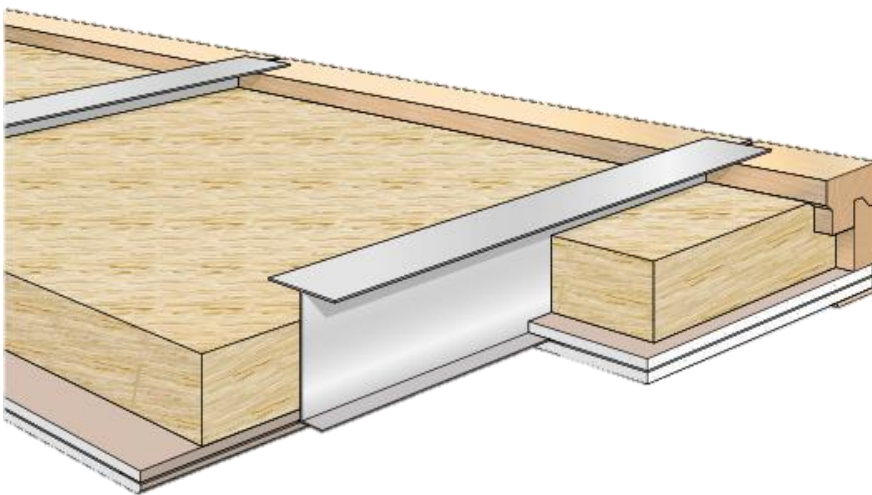


Using far-infrared graphite technology ThermaHeat® C22 is a complete low energy radiant heating solution delivering a maximum heat output of 300W/m². Running on just 36V transformers the C22 ceiling system is extremely cost and energy efficient making it the right choice for installation into Care homes, Hospitals, Education buildings, Commercial and Retail as well as domestic properties.

The system is designed for quick and easy installation with unsupported spans of up to 6m being achieved.



Far-infrared imaging of ThermaHeat® C22


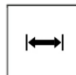



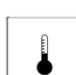



Advantages:

- Sustainable raw materials and constituents, sustainable manufacture, sustainable use.
- Fire-resistant.
- Sound insulating.
- Improved acoustics.
- Unlimited span capacity, without sagging.
- Easy and quick to install.
- Dry build: construction nuisance minimal.
- Can be fitted flush and finished for a seamless ceiling

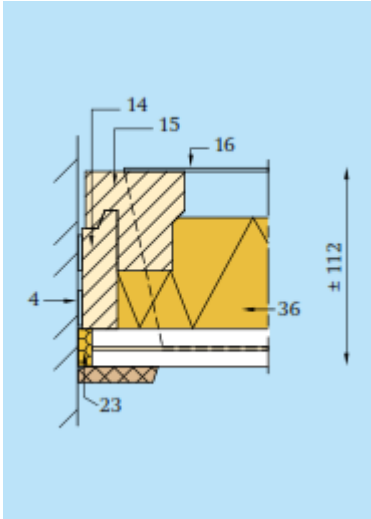
Product Warranty: 15 years manufacturer warranty on the heating element

Technical Details

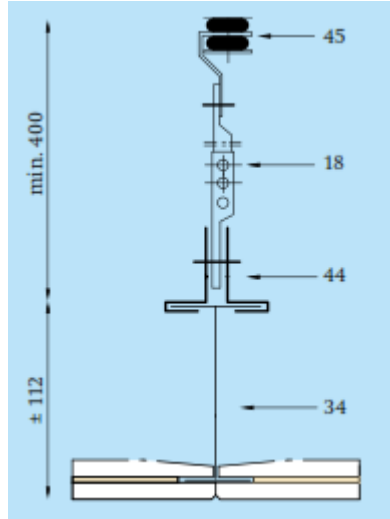
	Lengths (mm) 2400, 2600, 2800 3000, 3200, 3600
	Width (mm) 600
	Thickness (mm) 22
	Weight 18 kg/m ²
	Fire Resistance >75 min (NEN 6069) Incl. mineral wool under wooden floor
	Insulation 1.96 m ² K/W (incl. 65mm mineral wool)
	Sound Insulation 55 dB R _w

ThermaHeat C22 ceiling system

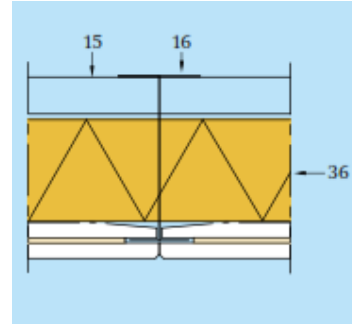
Installation Profiles



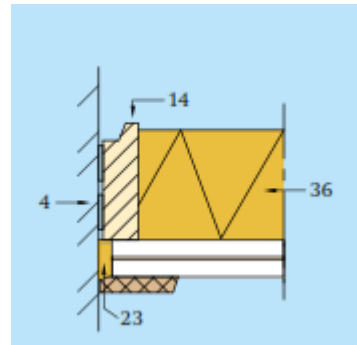
Wall Connection



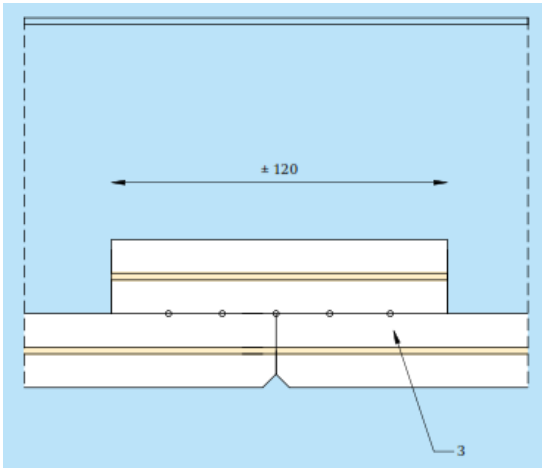
Sound dampening option



Joint detail



Wall Connection



Butt joint of ThermaHeat® C22 panels

Datum Phase Change Ltd

Curles Manor, Pelham Road, Clavering, Essex. CB11 4PW

Tel: 01799 550222 | Email: enquiries@therma.cool