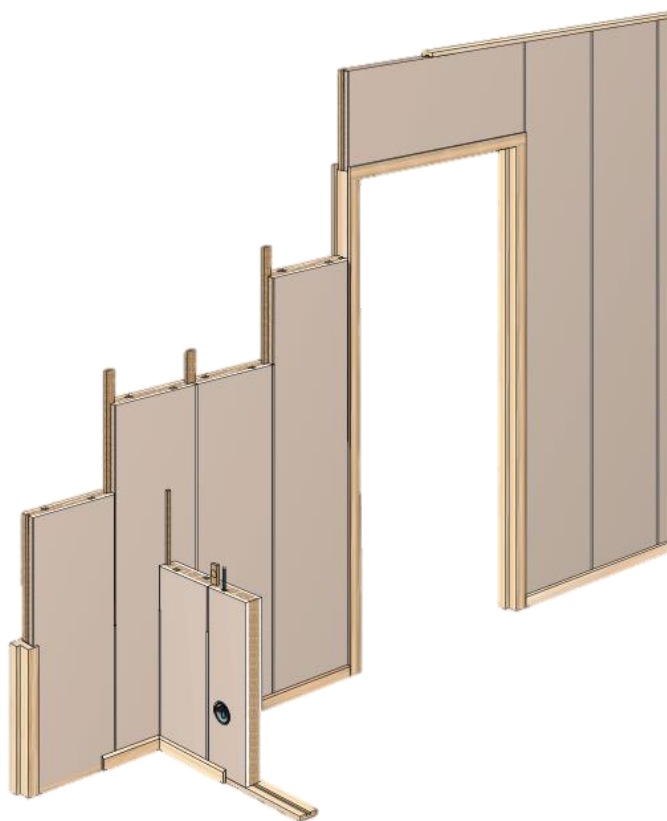


ThermaHeat® 70 is a revolutionary low energy heating solution that can be installed into Care homes, Hospitals, Education buildings, Commercial and Retail as well as domestic properties. The ThermaHeat® 70 internal wall system uses far-infrared graphite technology that runs on a 36V transformer and delivers a maximum heat output of 300W/m².

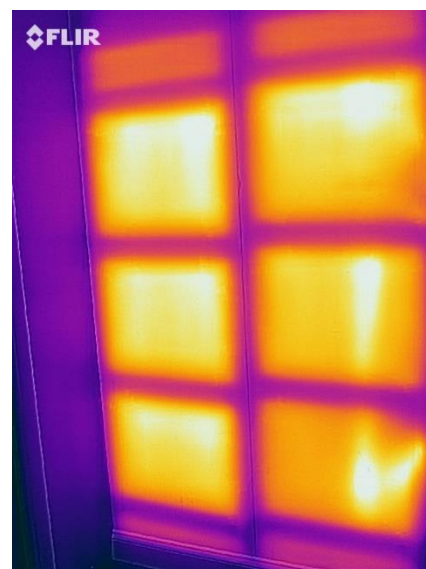
The system is designed for quick and easy install and is a full demountable partition system made using sustainably sourced flaxboard.



Advantages:


- Sustainable raw materials and constituents, sustainable manufacture, sustainable use.
- Good nail and screw fixing across the whole surface: 110kg per screw, 230kg per coach screw, without plugs or battens.
- Two built-in vertical cable ducts per wall panel.
- Dry build: building work causes minimum amount of inconvenience, can be finished directly.

Product Warranty: 15 years manufacturer warranty on the heating element



Far-infrared imaging of ThermaHeat® 70


Technical Details

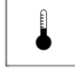
Lengths (mm)
 2400, 2600, 2800
 3000, 3200, 3600


Width (mm)
 600

Thickness (mm)
 70

Weight
 34.20 kg/m²

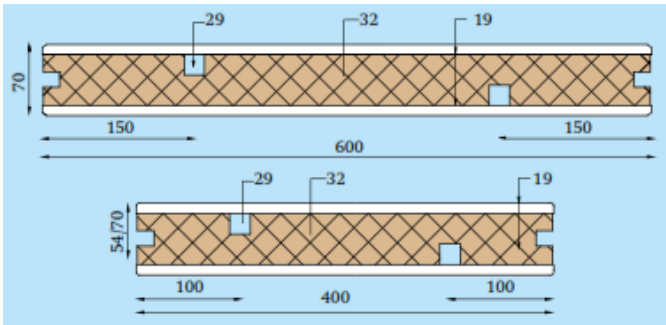
Fire Resistance
 45 min (NEN 6069)

Insulation
 1.23 W/m²K
 0.58 m²K/W (Rc)

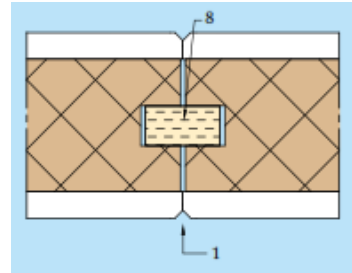
Sound Insulation
 29 dB R_w

ThermaHeat 70

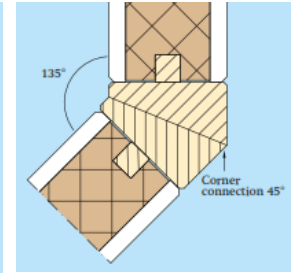
Installation Profiles



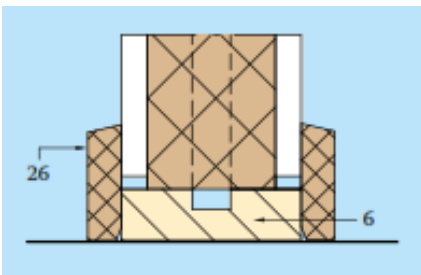
System profile with routed service positions



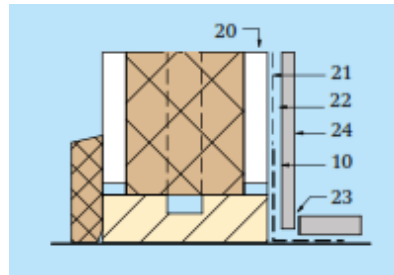
Standard joint detail



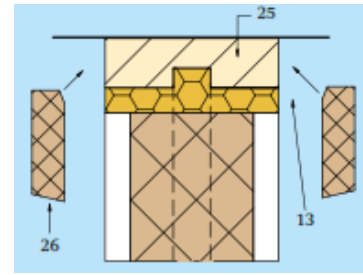
Angled Wall Connection



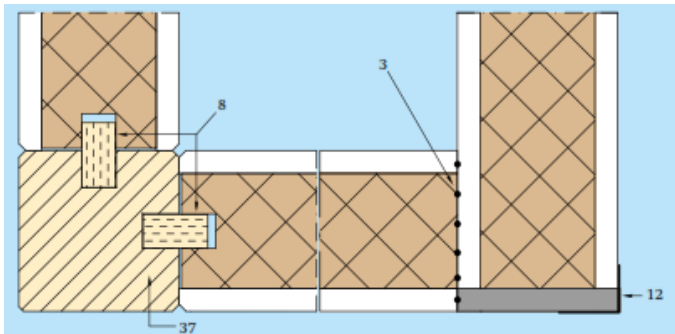
Floor Detail



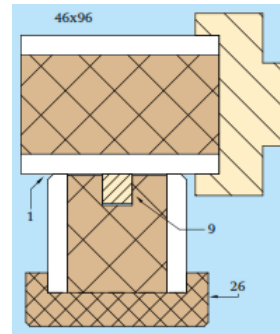
Floor detail in sanitary areas



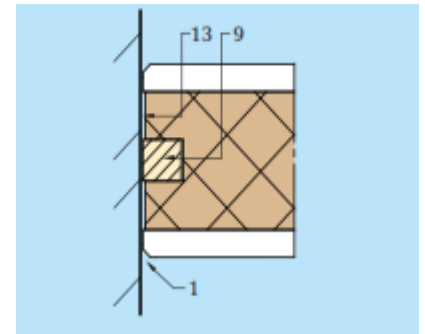
Ceiling Detail



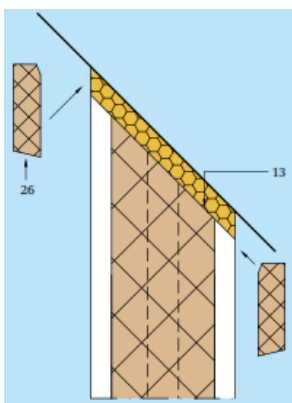
Corner Profiles and Finishing Detail



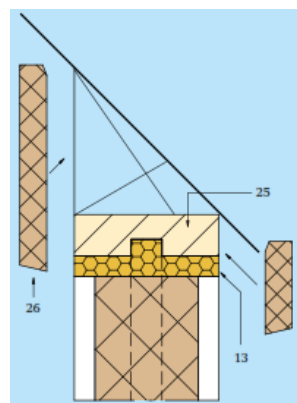
Adjoining Wall



Wall Connection

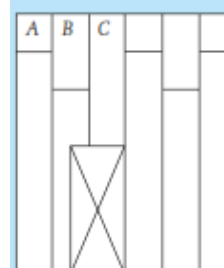
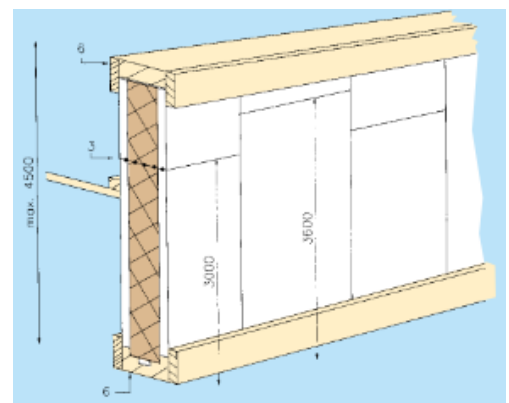


Angles ceiling connection without header connection



Angles ceiling connection with header connection

Wall height constructions



Wall height
Fitting piece A from elements
Fitting piece B from elements
Fitting piece C from elements

Datum Phase Change Ltd

Curles Manor, Pelham Road, Clavering, Essex. CB11 4PW

Tel: 01799 550222 | Email: enquiries@therma.cool