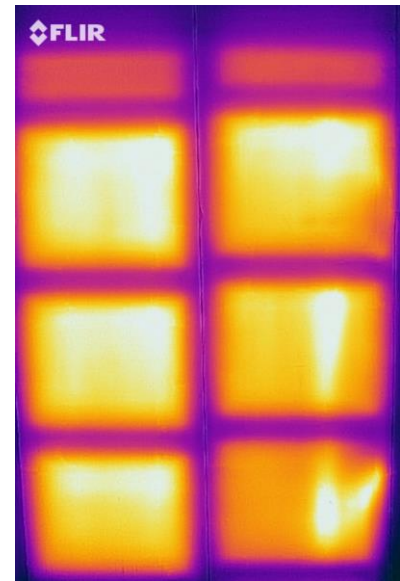
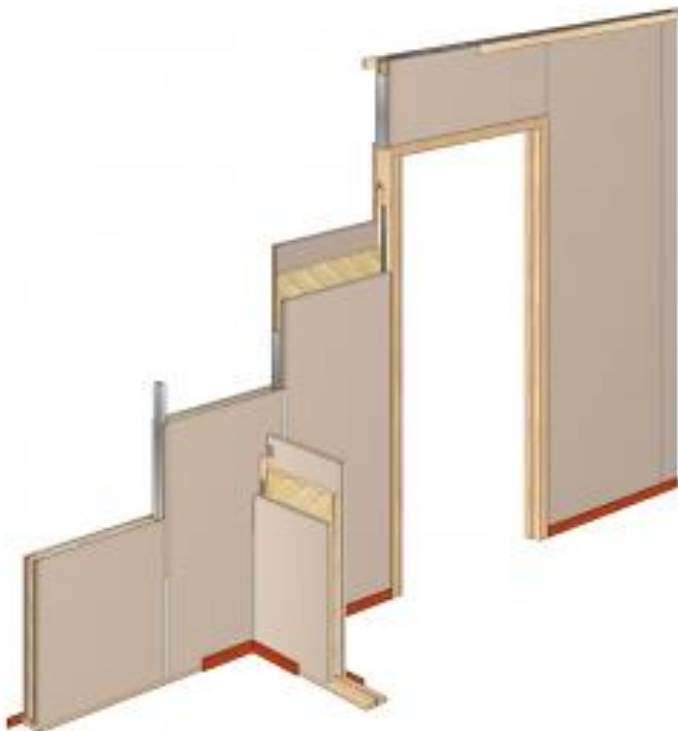


For forming separating walls, the ThermaHeat® 100 system provides up to 90 minutes fire resistance* and 45dB acoustic performance. Installed as a twin wall configuration with panels separated by I-Stud profiles to ensure stability, this system can be installed to free standing heights of 6.3m. The low energy ThermaHeat® panels can be installed on either side of the wall construction allowing designers to incorporate a heating system where required.

The ThermaHeat® 100 separating wall system uses far-infrared graphite technology that runs on a 36V transformer and delivers a maximum heat output of 300W/m².








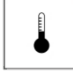

Far-infrared imaging of ThermaHeat® 100

Advantages:

- Sustainable raw materials and constituents, sustainable manufacture, sustainable use.
- Good nail and screw fixing across the whole surface without plugs or battens.
- Dry build: building work causes minimum amount of inconvenience, can be finished directly.

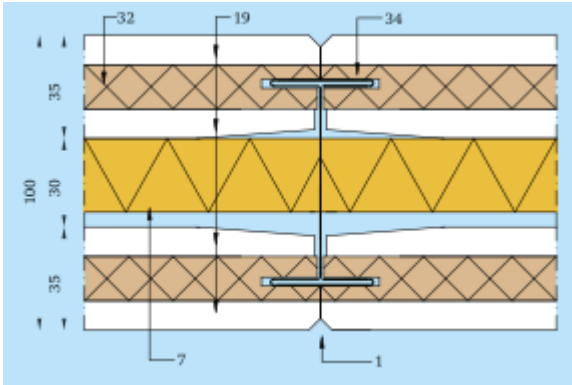
Product Warranty: 15 years manufacturer warranty on the heating element

Technical Details

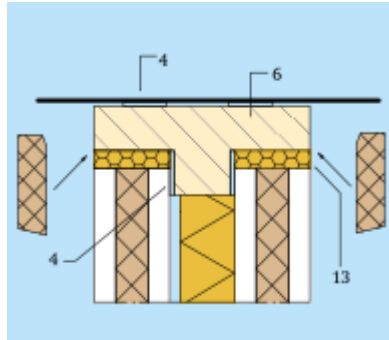
	Lengths (mm) 2400, 2600, 2800 3000, 3200, 3600
	Width (mm) 600
	Thickness (mm) 100
	Weight 47.36 kg/m ²
	Fire Resistance 75 min (NEN 6069) *With 12.5mm plasterboard
	Insulation 1.09 m ² K/W
	Sound Insulation 45 dB R _w

ThermaHeat 100

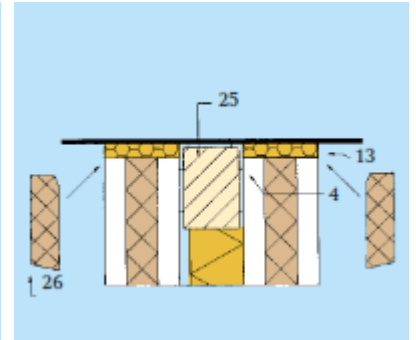
Installation Profiles



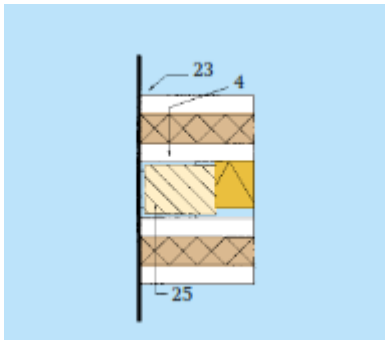
I-Section Joint



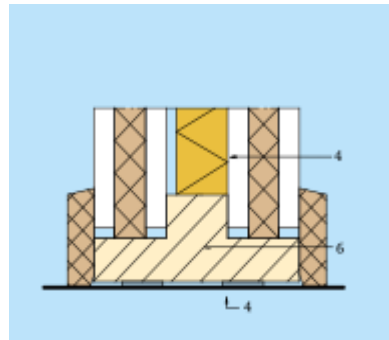
Ceiling connection with timber profile



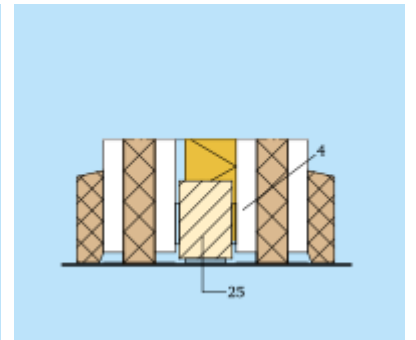
Ceiling connection without timber profile



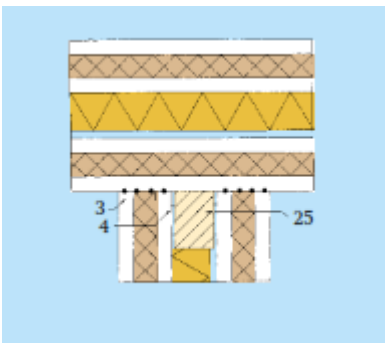
Wall connection (to existing)



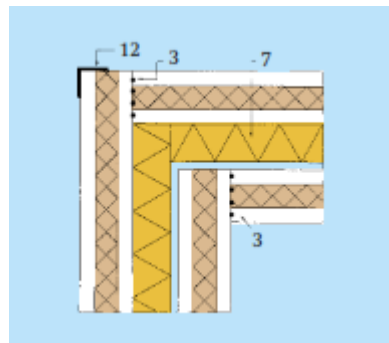
Floor connection with timber profile



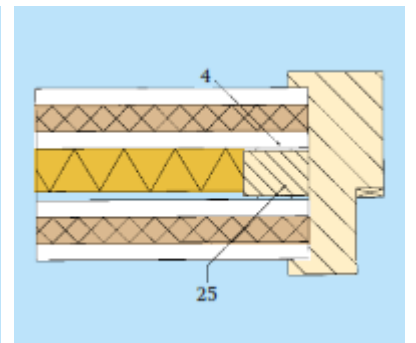
Floor connection without timber profile



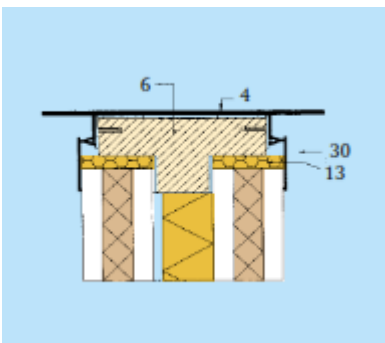
Wall connection (to IW100)



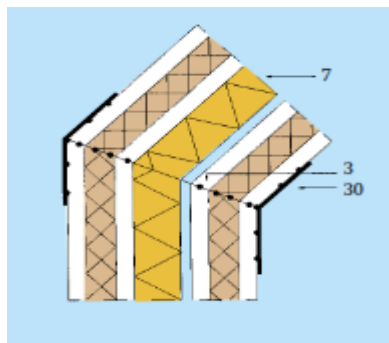
90° Corner connection



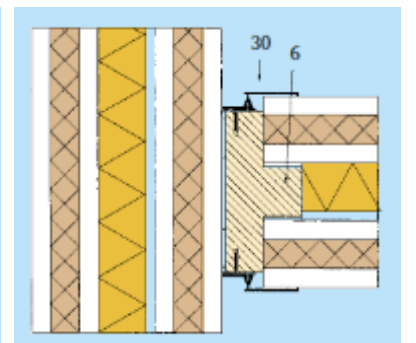
Casing connection



Ceiling connection with deflection



45° Corner connection



Wall connection with deflection

Datum Phase Change Ltd

Curles Manor, Pelham Road, Clavering, Essex. CB11 4PW

Tel: 01799 550222 | Email: enquiries@therma.cool